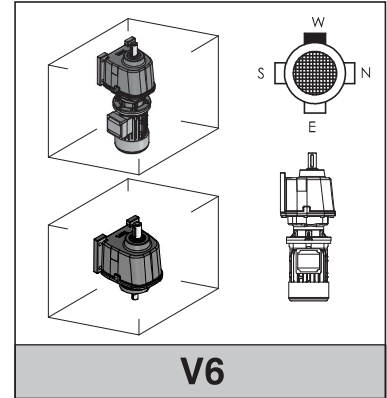
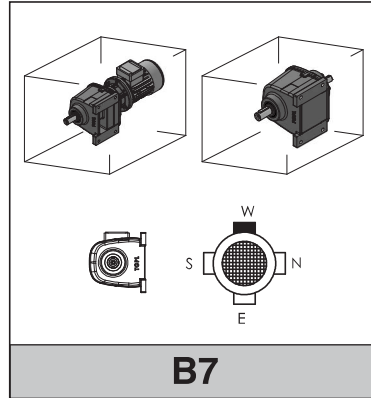
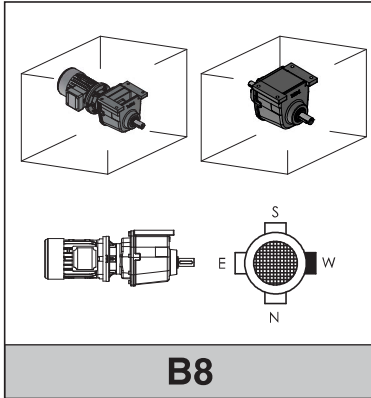
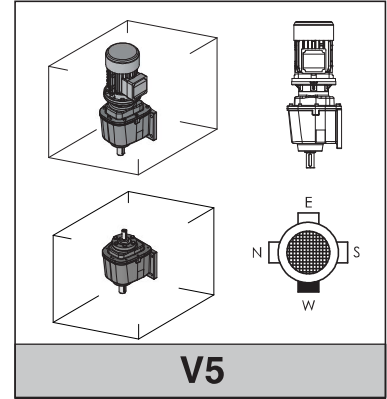
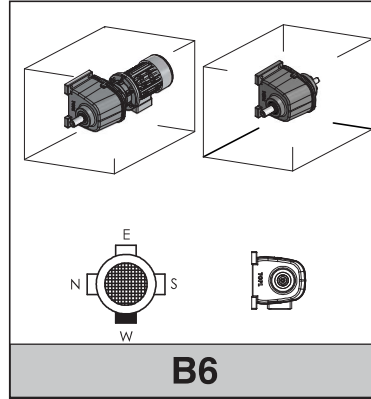
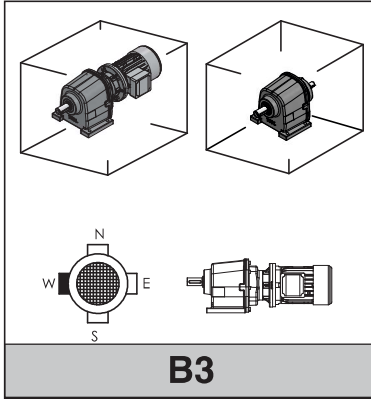


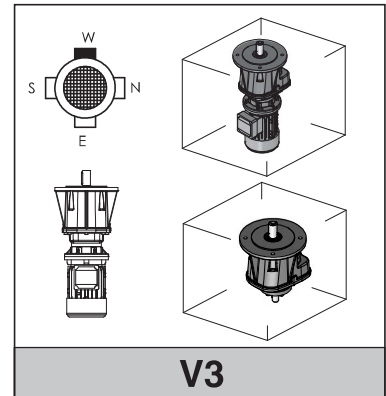
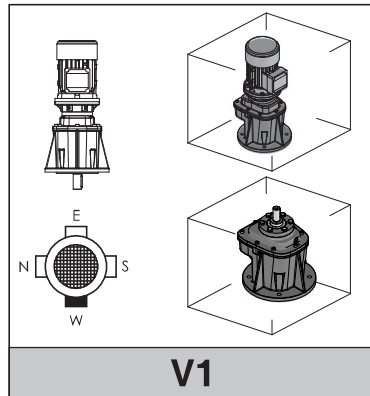
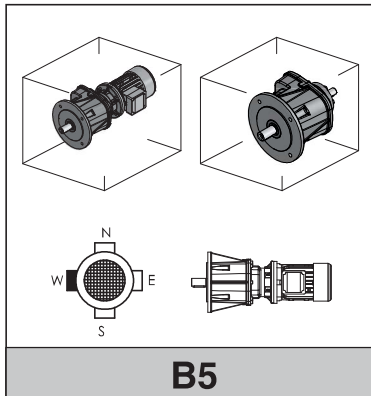
10. MOUNTING POSITIONS

MOUNTING POSITION FOR GEAR BOX & GEARED MOTOR

F - FOOT MOUNTING




FL - FLANGE MOUNTING



11. LUBRICATION

TGPL – TH Series gearbox inner parts are flash lubricated and models TH20, 25, 30 & 35 are filled with long life Synthetic oil and the other models TH40, 50, 60 & 80 are filled with mineral oil. In case of ambient temperatures under -15°C or over 50°C, please consult our technical team.

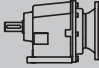


11.1 LUBRICANT DETAILS

MODEL	GRADE			OIL TYPE	AMBIENT TEMPERATURE	
	LIGHT DUTY	NORMAL DUTY	HEAVY DUTY			
TH20 TO TH35	150	220	320	SYNTHETIC OIL	-15°c	+50°c
TH40 TO TH80	220	220	320	MINERAL OIL		

11.2 Quantity of Lubricant (Ltrs)

Model	MOUNTING POSITIONS								
	FOOT						FLANGE		
	B3	B6	B7	B8	V5	V6	B5	V1	V3
TH20-2	0.4	0.37	0.37	0.37	0.45	0.55	0.4	0.45	0.55
TH20-3	0.4	0.37	0.37	0.37	0.6	0.5	0.4	0.65	0.55
TH25-2	0.7	0.65	0.65	0.65	0.75	0.85	0.55	0.6	0.83
TH25-3	0.75	0.7	0.7	0.7	1.0	0.85	0.6	0.88	0.85
TH30-2	0.9	0.85	0.85	0.85	1.0	1.3	0.9	1.0	1.3
TH30-3	0.9	0.85	0.85	0.85	1.35	1.1	0.9	1.35	1.15
TH35-2	1.2	1.1	1.1	1.0	1.3	1.7	1.2	1.3	1.7
TH35-3	1.2	1.1	1.1	1.0	1.8	1.75	1.2	1.8	1.75
TH40-2	2.2	2.2	2.2	2.5	2.8	2.6	2.2	2.8	2.6
TH40-3	2.2	2.2	2.2	2.5	3.0	2.8	2.2	3.0	2.8
TH50-2	3.5	3.4	3.4	4.0	4.5	4.3	3.5	4.5	4.3
TH50-3	3.5	3.4	3.4	4.0	4.9	5.0	3.5	4.9	5.0
TH60-2	6.0	5.8	5.8	6.3	8.0	7.6	6.0	8.0	7.6
TH60-3	6.0	5.8	5.8	6.3	11.0	10.5	6.0	11.0	10.5
TH80-2	12.0	11.5	11.8	11.5	13.7	16.8	10.0	11.6	15.0
TH80-3	12.0	11.5	11.8	11.5	18.0	19.7	10.0	15.8	18.8

12. SYMBOLS AND UNITS OF MEASURE

P_{1n} [kW]	n_2 [r/min]	M_{2n} [Nm]	i	F_{r_2} [N]	f_s			
Rated power driving motor	Output speed	Rated output torque	Gear unit ratio	Output Shaft radial load	Service factor	Gear unit Size	Motor Size	Page number - Dimension details